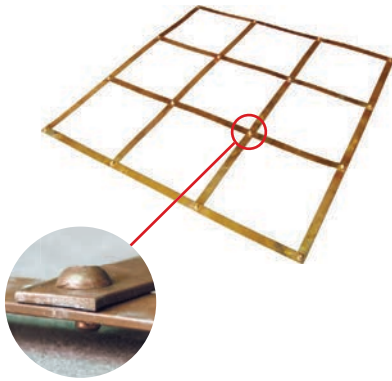


Ground Plate



Lattice Copper

Code No.	Dimensions (mm)	Weight (kg)
GRPL 663	600x600x3	4.20
GRPL 993	900x900x3	7.20



Test Certificate
IEC 62561 Part 2



Material
Copper - BS EN 13601



Application
To minimize the danger of exposure to high step and touch voltages.

Solid Copper



Code No.	Dimensions (mm)	Weight (kg)
GRPS 6615	600x600x1.5	5.00
GRPS 6630	600x600x3	9.74
GRPS 9915	900x900x1.5	10.90
GRPS 9930	900x900x3	21.77



Test Certificate
IEC 62561 Part 2



Material
Copper - BS EN 13601



Application
Suitable for an area where unable to drive ground rod.



Copper-Bonded Steel

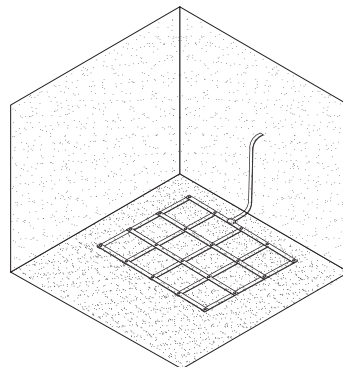
Code No.	Dimensions (mm)	Weight (kg)
GRPC 6615	600x600x1.5	4.25
GRPC 6630	600x600x3	8.50



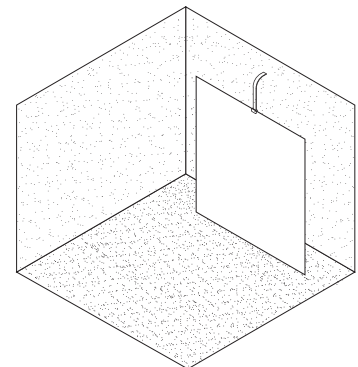
Material
Copper-Bonded steel 254 micron
Copper thickness



Application
Suitable for an area where unable to drive ground rod



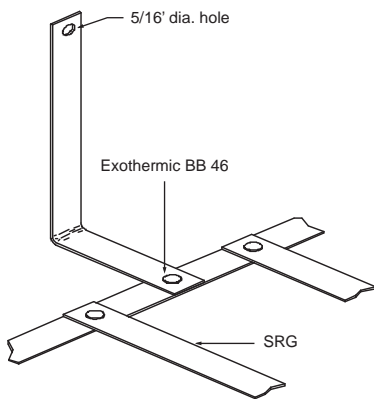
For Lattice Copper



For Copper Plate

Signal Reference Ground Grid

Signal Reference Ground Grid (SRG) manufactures from 50 mm by 0.5 mm copper strip with 600 mm spacing.

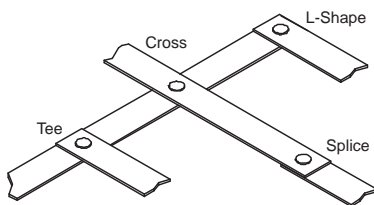


SRG Comply to IEEE Std.1100

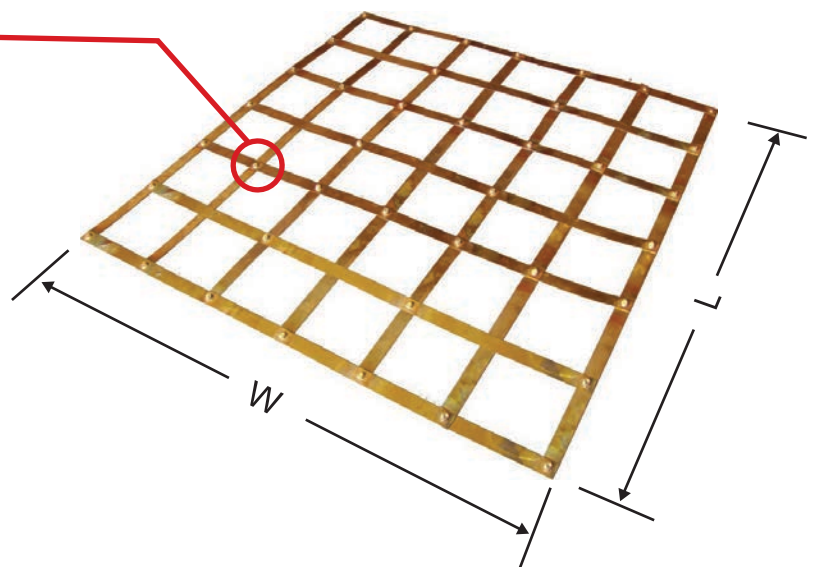
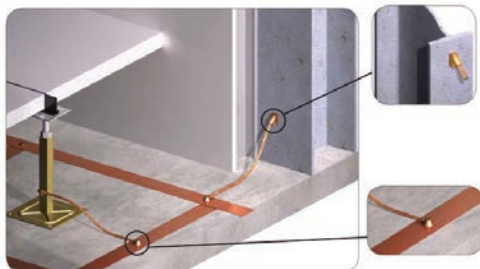
Code No.	Length (L) (mm)	Width (W) (mm)	Spacing (mm)	Weight (kg)
GRSRG 240240	2400	2400	600	6.20
GRSRG 240480	2400	4800	600	11.66



Kumwell Exothermic Welding Code BB46-C-550 mould and KW32 metal powder can provide Tee, Cross, L-Shape and Splice connections as shown.



Mould	Copper Strip Size (mm)	Metal Powder (g)	Handle Clamp Type
BB46-C-550	50x0.5	32	HCC00



Note : Special Size can be requested.